

PS1800 Pool CS-37-1

Solar Surface Pump System

System Overview

Head	max. 14 m
Flow rate	max. 36 m³/h

Technical Data

Controller PS1800 Pool

- Control inputs for dry running protection, remote control etc.
- Protected against reverse polarity, overload and overtemperature
- Integrated MPPT (Maximum Power Point Tracking)
- Battery operation: Integrated low voltage disconnect

Power	max. 1.3 kW
Input voltage	max. 200 V
Optimum Vmp*	> 102 V
Motor current	max. 14 A
Efficiency	max. 98 %
Ambient temp.	-30...50 °C
Enclosure class	IP54

Motor ECDRIVE 1800 CS-37

- Maintenance-free brushless DC motor
- Premium materials, stainless steel: AL/AISI 304
- No electronics in the motor

Rated power	1.7 kW
Efficiency	max. 92 %
Motor speed	900...3,300 rpm
Insulation class	F
Enclosure class	IPX4


Pump End PE CS-37-1

- Premium materials: PP

Pump Unit PU CS-37-1 (Motor, Pump End)

Water temperature	max. 60 °C
Suction head	max. 3 m

Standards

 2006/42/EC, 2004/108/EC, 2006/95/EC

IEC/EN 61702:1995,
IEC/EN 62253 Ed.1

The logos shown reflect the approvals that have been granted for this product family. Products are ordered and supplied with the approvals specific to the market requirements.

*Vmp: MPP-voltage under Standard Test Conditions (STC): 1000 W/m² solar irradiance, 25 °C cell temperature

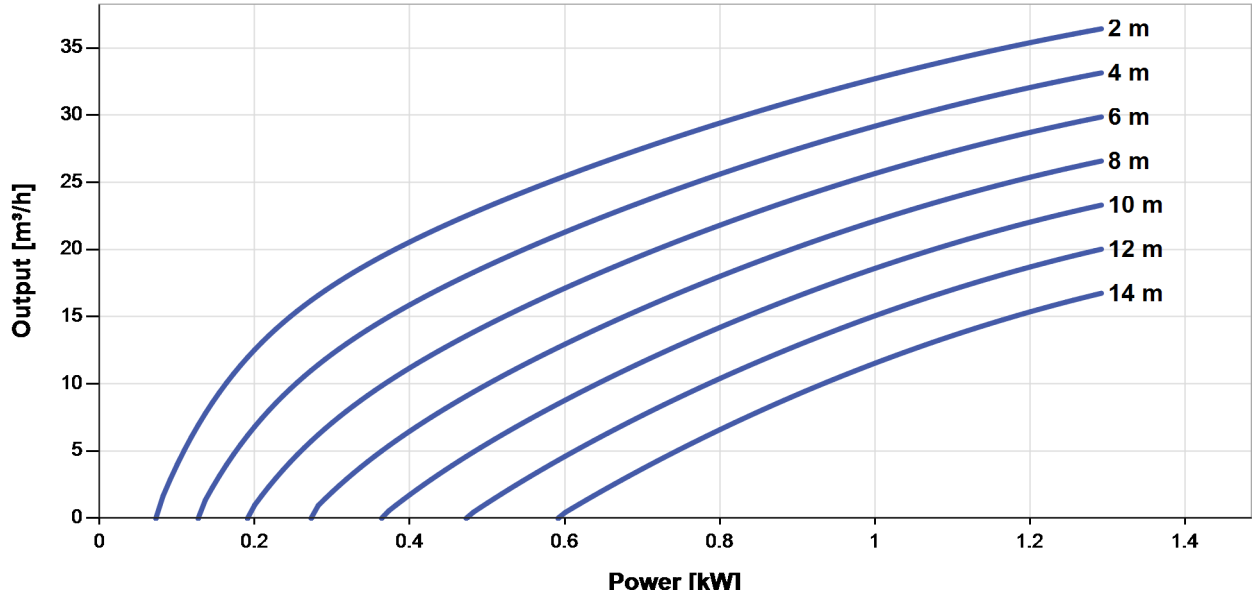


PS1800 Pool CS-37-1

Solar Surface Pump System

Pump Chart

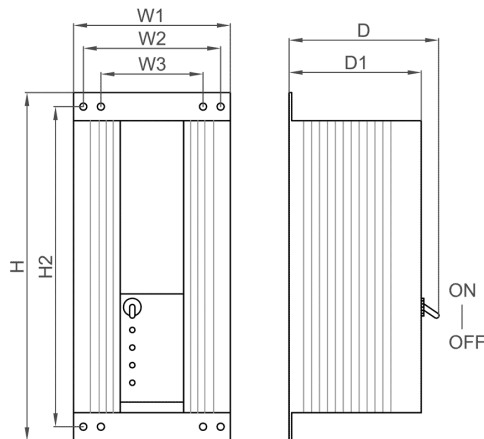
Vmp* > 102 V



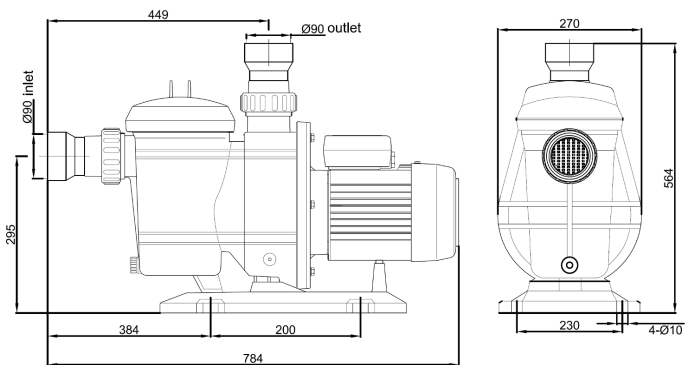
Dimensions and Weights

Controller

- H = 396 mm
- H2 = 364 mm
- W1 = 178 mm
- W2 = 156 mm
- W3 = 116 mm
- D = 165 mm
- D1 = 150 mm



Pump Unit [mm]



	Net weight
Controller	4.5 kg
Pump Unit	21 kg
Motor	10 kg
Pump End	11 kg

*Vmp: MPP-voltage under Standard Test Conditions (STC): 1000 W/m² solar irradiance, 25 °C cell temperature

